

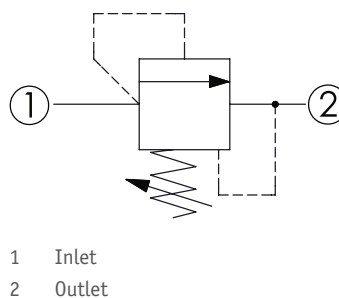
# CRD-18A - Relief valve

Direct acting, poppet

## 1 Available versions

Ordering example:

CRD-18A	-25	-A	-L
Type	Operation	Pressure setting	Option



### Operation


Coding	Description
25	Direct acting port 1 to 2 (P to T)

### Pressure setting

Coding	Pressure (bar)	
	Adjustment range	Standard setting
A	35 - 210	70
B	20 - 105	70
C	70 - 420	70
D	14 - 55	28
E	7 - 28	14
S	3.5 - 14	7
W	55 - 315	70

### Option

Coding	Option	Drawing
L	Leakproof hex. socket screw	
LP	Leakproof hex. socket screw, with stainless steel external metal components	

Coding	Option	Drawing
K	Handknob with lock knob	

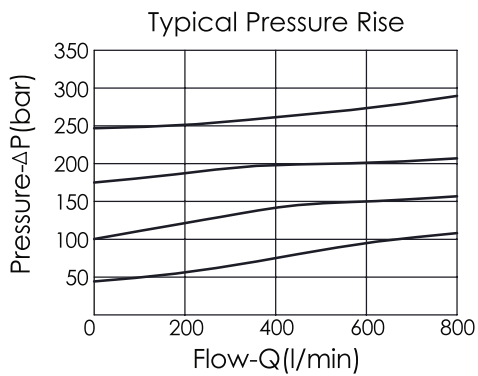
## 2 Technical data

Operating pressure $p_{max}$	350 bar
Flow rate $Q_{max}$	760 l/min
Installation torque	465 - 500 Nm
Cavity	T-18A
Weight	1.46 kg

### **i** INFORMATION

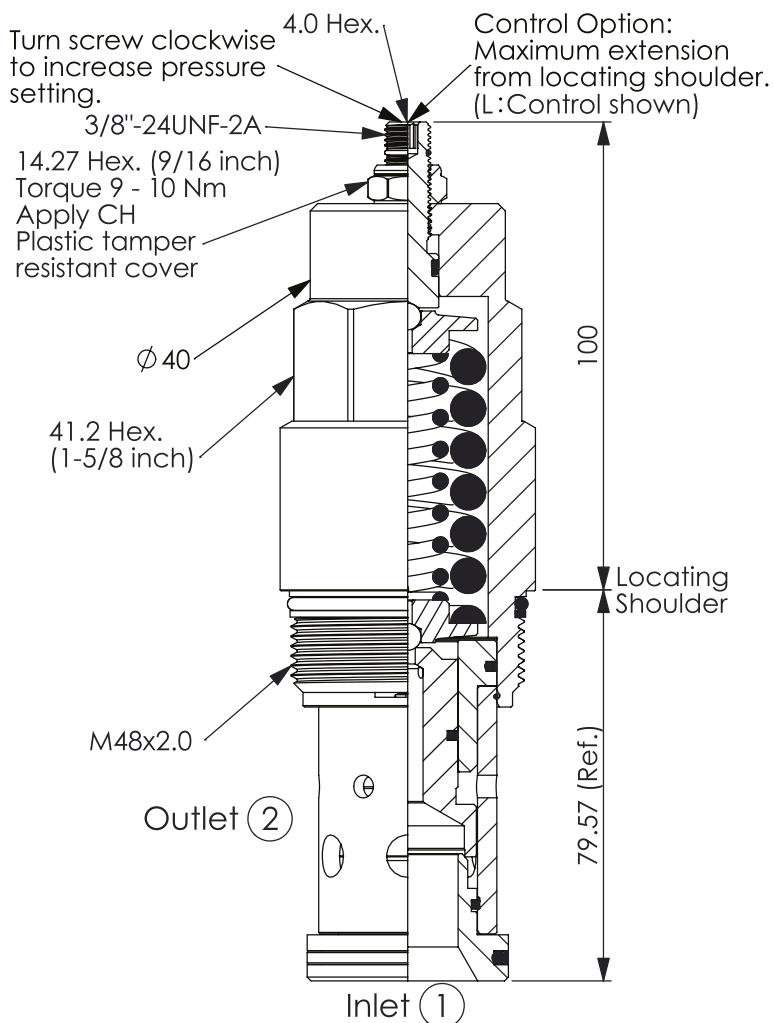
- Will accept maximum pressure at port 2; suitable for use in cross port relief circuits.
- Response time-typical (2 ms)
- Maximum leakage approximately (5 drops/min to 85 % of nominal setting)
- Dirt tolerant

### Characteristic lines



### 3 Dimensions

All dimensions in mm, subject to change.



### 4 Other information

see Technical information HAWE cartridge valves: D 8219

see Recommendation for hydraulic fluid: D 5488/1

